

### 1335 Globo LED against light pollution

Globe: in shatterproof and self-extinguishing V2 polycarbonate, UV-stabilised and anti-yellowing. Excellent transparency for perfect light penetration. The top part is coated to comply with anti-lighting pollution requirements.

Base: in die-cast aluminium.

Central cone: in black coated aluminium to protect against light pollution.

Equipment: complete with plug-socket for quick installation. temperature control device inside the lamp with automatic recovery. Safety diode to protect against voltage peaks pursuant to EN61547. Dedicated electronic device to protect the LED module.

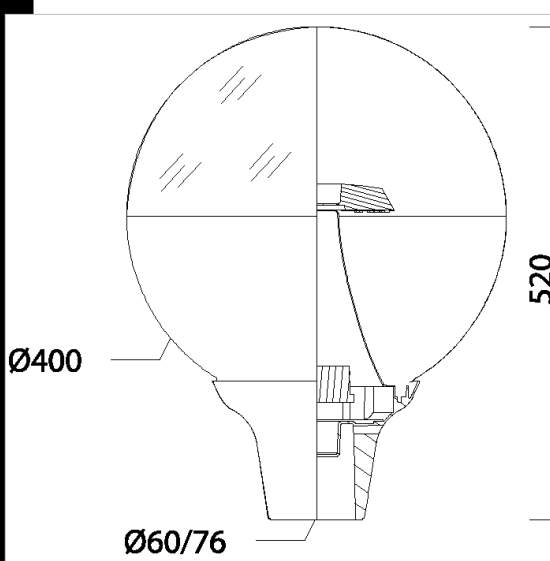
Regulations: Produced according to applicable EN60598-1 CEI 34-21 standards, degree of protection according to EN 60529 standards.

Luminous flux maintenance 80%: 50.000h (L80B20).

**Download**

DXF 2D  
- 1335.dxf

Montaggi  
- 1330-1335.pdf



| Code      | Gear     | Kg   | Lumen Output-K-CRI      | WTot | Colour   |
|-----------|----------|------|-------------------------|------|----------|
| 425600-00 | CLD CELL | 3.28 | LED-2119lm-4000K-CRI 80 | 29 W | GREY9007 |
| 425600-39 | CLD CELL | 4.28 | LED-1971lm-3000K-CRI 80 | 29 W | GREY9007 |
| 425601-00 | CLD CELL | 3.28 | LED-1380lm-4000K-CRI 80 | 20 W | GREY9007 |
| 425601-39 | CLD CELL | 3.28 | LED-1283lm-3000K-CRI 80 | 20 W | GREY9007 |

**Accessories**



**Posts**



The reported luminous flux is the flux emitted by the light source with a tolerance of ± 10% compared to the indicated value. The W tot column indicates the total wattage absorbed by the system without exceeding 10% of the indicated